

1 2 3 4 5 6

A

B

C

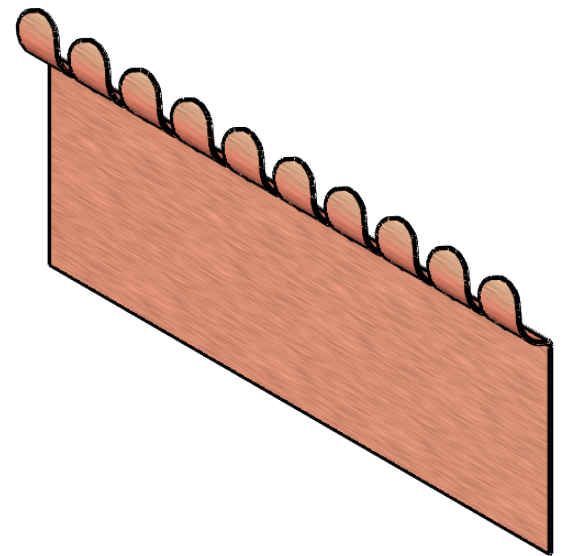
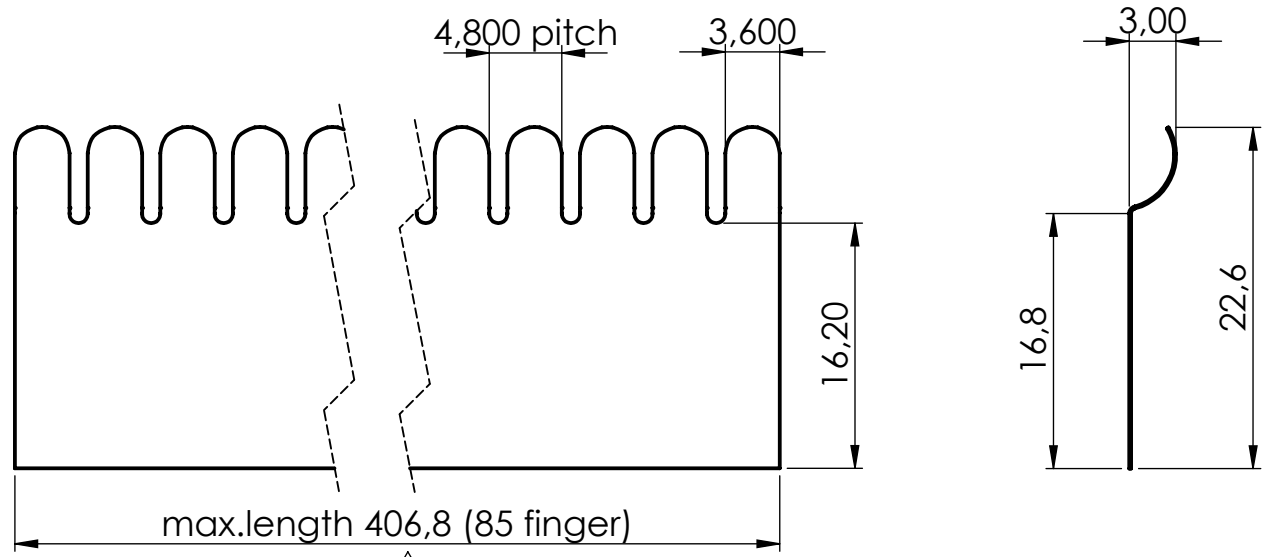
D

A

B

C

D



drawing for customer information

FEUERHERDT EMI Shielding Products Specialist for Contact Springs		tolerances:	length tolerance:	dimensions in mm	scale: 2:1	revision: 00
		X,X ± 0,5 X,XX ± 0,2 X,XXX ± 0,1	100-300 ± 0,5 300-400 ± 0,8 400-500 ± 1 > 500 ± 1,5	unmeasured contours according to 3D data	material: rawmaterial: CuBe 2, 1/2H finalstate: CuBe 2, 1/2HT	
		date:	name:	description:		
		created 06.09.21	Pröhl	<h1>type J3</h1>		
		checked 06.09.21	Akrim			
		released		drawing number:		
		surface code:		<h1>GS.014.00.C</h1>		
		bright finish -02	zink chromate/ clear -15			
		gold -03	bright tin -17	sheet: 1		
		silver -04	bright nickel -19	replacement drawing:		
rev.	description	date	name	thickness: t= 0,127		

1

Stripes can be cut off after each finger on request.
 Calculation of length in mm:
 strip length = number of fingers x 1 pitch - 1 slot

1 2 3 4 5 6