

A

B

C

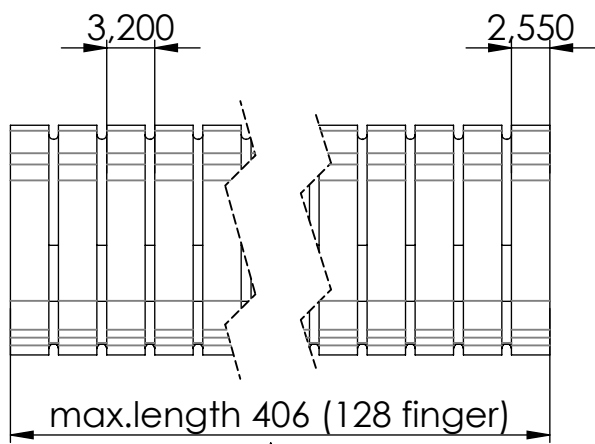
D

A

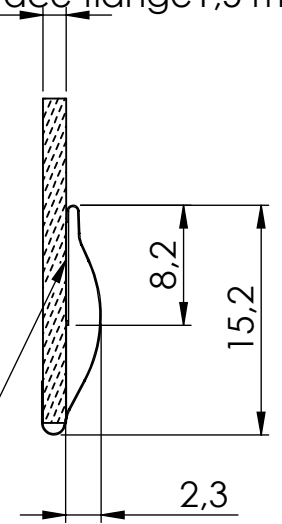
B

C

D

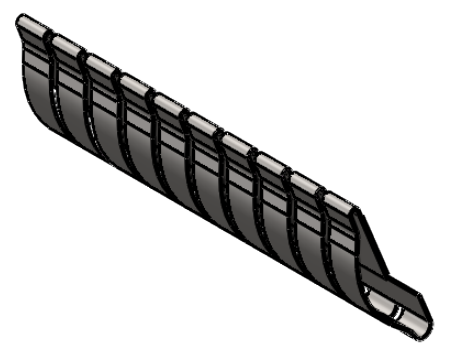


Mounting surface flange 1,5 max.



double adhesive transfer tape

drawing for customer information



1

Strips can be cut off after each finger on request.  
 Calculation of length in mm:  
 strip length = number of fingers x 1 pitch - 1 slot

<b>FEUERHERDT</b> EMI Shielding Products Specialist for Contact Springs		tolerances:	length tolerance:	dimensions in mm	scale: <b>2:1</b>	revision: <b>00</b>
		X,X ± 0,5 X,XX ± 0,2 X,XXX ± 0,1	100-300 ± 0,5 300-400 ± 0,8 400-500 ± 1 > 500 ± 1,5	unmeasured contours according to 3D data	material: <b>stainless steel 1.4310</b> <b>X10CrNi18-8 F1100-1300</b>	
		date:	name:	description:		
		created 29.08.22	<b>Pröhl</b>	<h1>type NPH2</h1>		
		checked 29.08.22	<b>Bäumler</b>			
		released		drawing number:		
		surface code:		<h1>LP.004.15.E</h1>		
		bright finish -02 gold -03 silver -04	zink chromate/ clear -15 bright tin -17 bright nickel -19			
rev.	description	date	name	thickness: t= <b>0,06</b>	replacement drawing:	

1

2

3

4

5

6