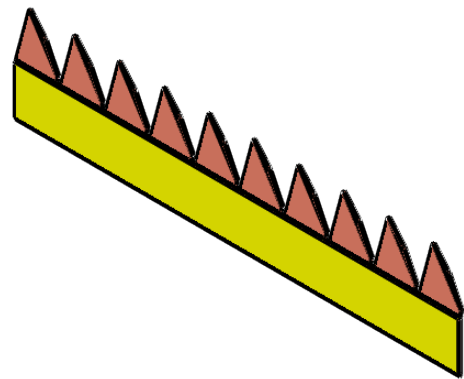
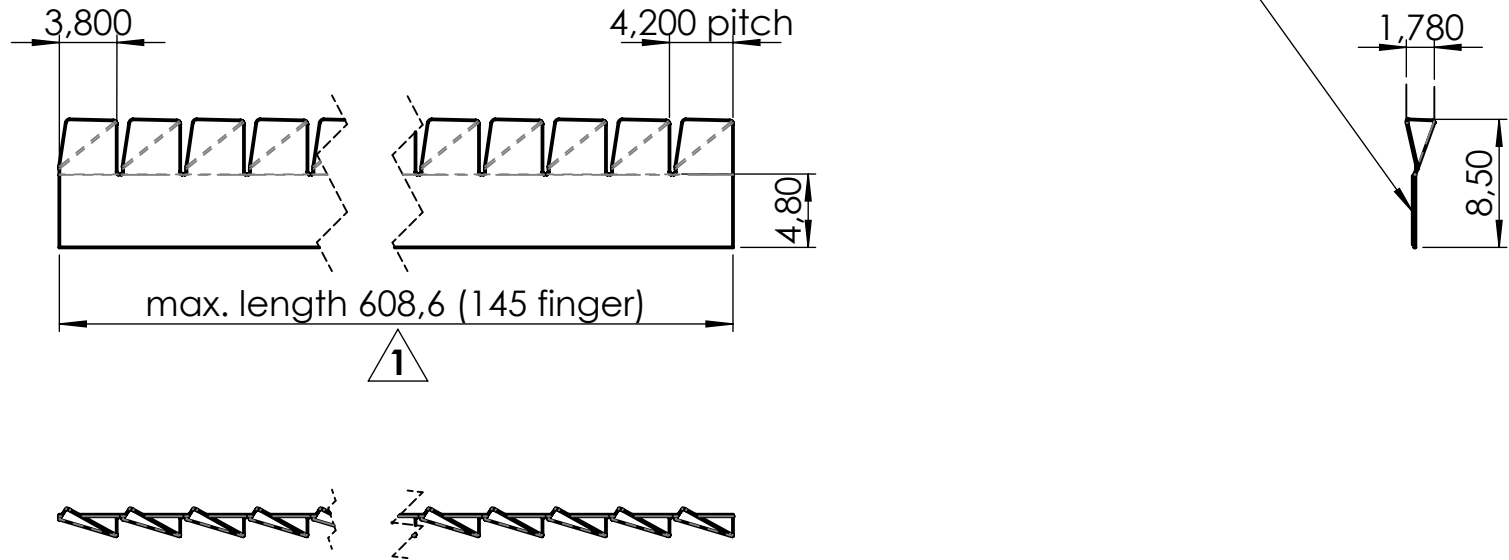


double adhesive transfer tape



drawing for customer information

1

Stripes can be cut off after each finger on request.
 Calculation of length in mm:
 strip length = number of fingers x 1 pitch - 1 slot

FEUERHERDT EMI Shielding Products Specialist for Contact Springs		tolerances:	length tolerance:	dimensions in mm	scale: 2:1	revision: 00
		X,X ± 0,5 X,XX ± 0,2 X,XXX ± 0,1	100-300 ± 0,5 300-400 ± 0,8 400-500 ± 1 > 500 ± 1,5	unmeasured contours according to 3D data	material: rawmaterial: CuBe 2, 1/2H finalstate: CuBe 2, 1/2HT	
			date:	name:	description: <h1>type X</h1>	
			created 09.06.20	Gutmann		
			checked 11.06.20	Pröhl		
			released			
			surface code:		drawing number:	
			bright finish -02 gold -03 silver -04	zink chromate/ clear -15 bright tin -17 bright nickel -19	TC.001.00.C	
rev.	description	date	name	thickness: t= 0,08	replacement drawing:	
					sheet: 1 A4	