

A

B

C

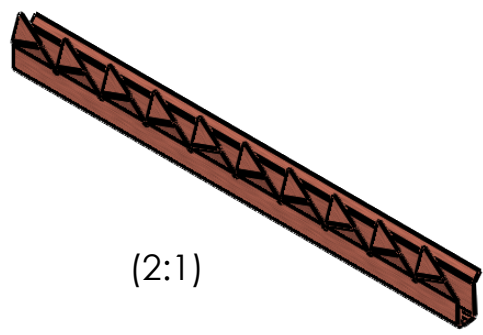
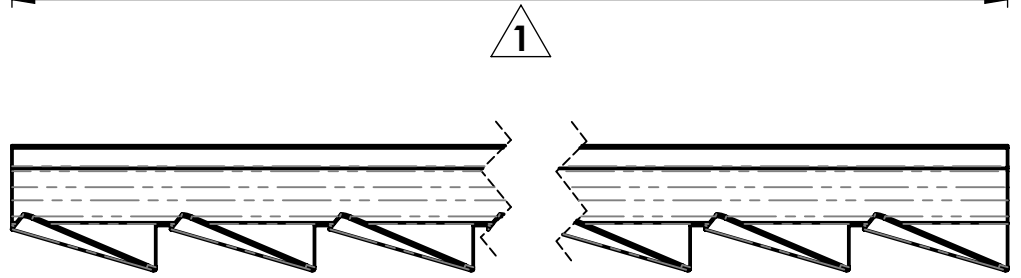
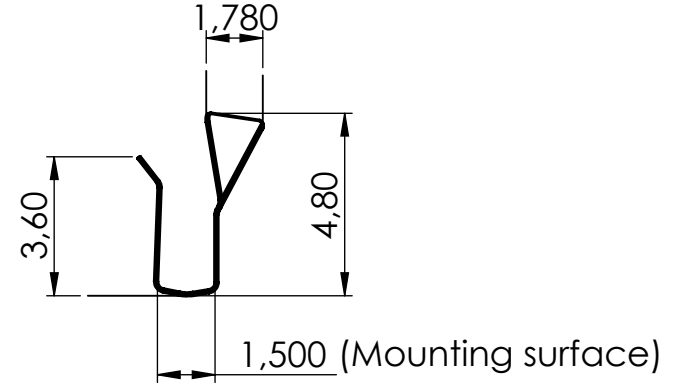
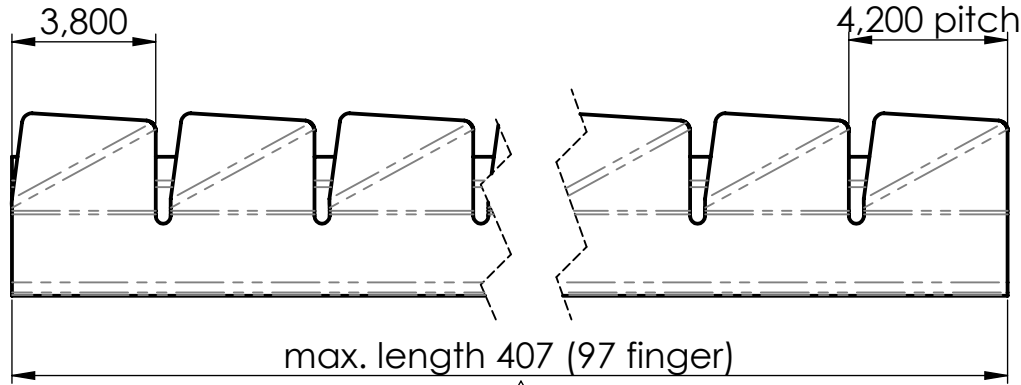
D

A

B

C

D



drawing for customer information

1

Stripes can be cut off after each finger on request.
 Calculation of length in mm:
 strip length = number of fingers x 1 pitch - 1 slot

FEUERHERDT EMI Shielding Products Specialist for Contact Springs		tolerances:	length tolerance:	dimensions in mm	scale: 5:1	revision: 00
		X,X ± 0,5 X,XX ± 0,2 X,XXX ± 0,1	100-300 ± 0,5 300-400 ± 0,8 400-500 ± 1 > 500 ± 1,5	unmeasured contours according to 3D data	material: rawmaterial: CuBe 2, 1/2H finalstate: CuBe 2, 1/2HT	
			date:	name:	description: <h1 style="text-align: center;">type X3</h1>	
			created 09.06.20	Gutmann		
			checked 16.06.20	Pröhl		
			released		drawing number:	
				surface code:	<h1 style="text-align: center;">TC.007.15.C</h1>	
				bright finish -02 gold -03 silver -04		
				zink chromate/clear -15 bright fin -17 bright nickel -19	sheet: 1	
rev.	description	date	name	thickness: t= 0,08	replacement drawing:	

1

2

3

4

5

6