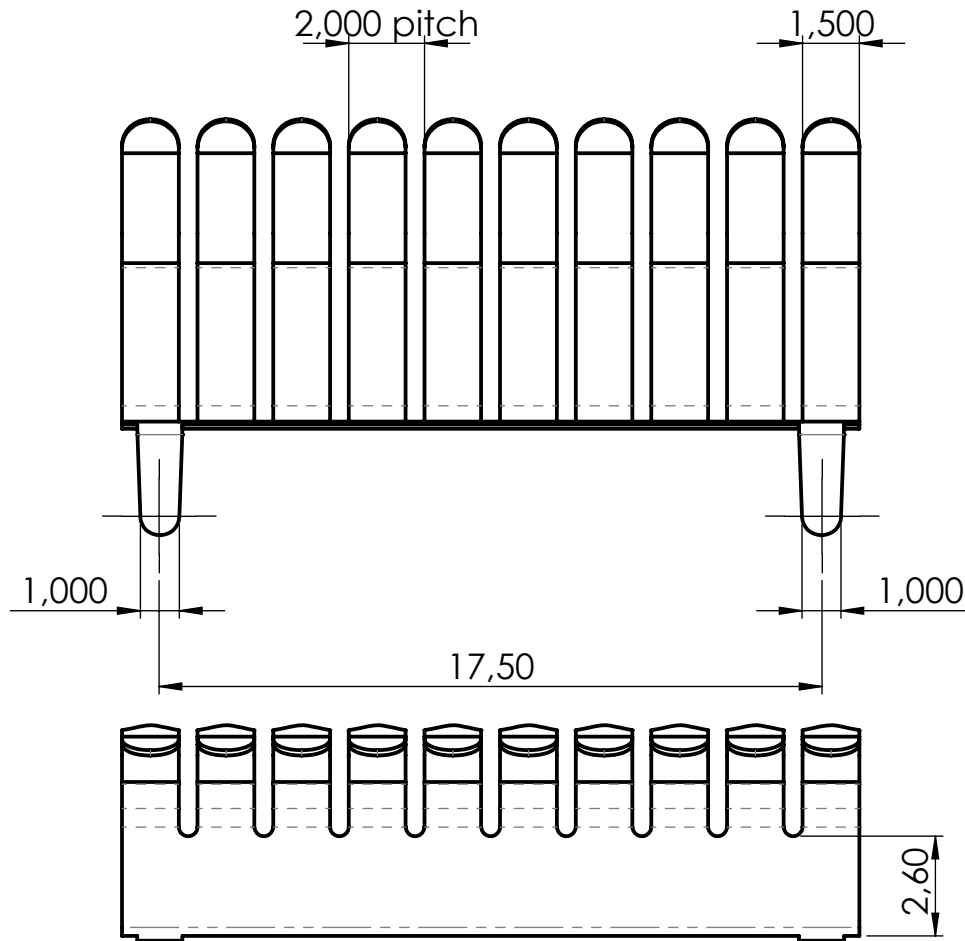
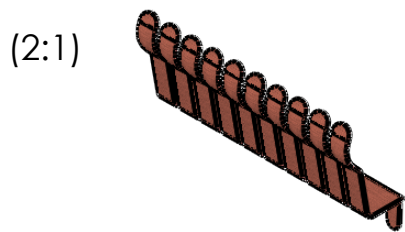


Copying of this document, and giving it to others and the use or communication of the contents thereof, are forbidden without express authority. All rights reserved.



drawing for customer information



FEUERHERDT EMI Shielding Products Specialist for Contact Springs		tolerances: X,X ± 0,5 X,XX ± 0,2 X,XXX ± 0,1	length tolerance: 100-300 ± 0,5 300-400 ± 0,8 400-500 ± 1 > 500 ± 1,5	dimensions in mm unmeasured contours according to 3D data	scale: 5:1	revision: 00
			date: 17.03.21	name: Pröhl	material: rawmaterial: CuBe 2, 1/2H finalstate: CuBe 2, 1/2HT	
			checked: 17.03.21	name: Akrim	description: <h1>type OP-10</h1>	
			released:	surface code: bright finish -02 gold -03 silver -04	drawing number: <h1>PC.024.00.C</h1>	
				bright chrome/ clear -15 bright tin -17 bright nickel -19	sheet: 1	
rev.	description	date	name	thickness: t= 0,15	replacement drawing:	