

A

B

C

D

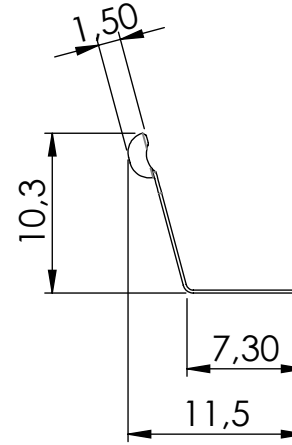
A

B

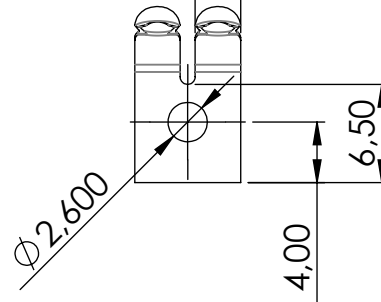
C

D

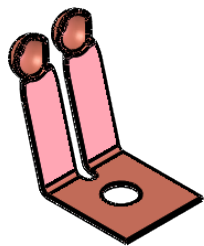
4,000 pitch



3,000



drawing for customer information



**FEUERHERDT**  
EMI Shielding Products  
Specialist for Contact Springs

tolerances: length tolerance:  
 X,X ± 0,5 100-300 ± 0,5  
 X,XX ± 0,2 300-400 ± 0,8  
 X,XXX ± 0,1 400-500 ± 1  
 > 500 ± 1,5

dimensions in mm  
 unmeasured contours according to 3D data

scale: **2:1** revision: **00**

material: **rawmaterial: CuBe 2, 1/2H**  
**finalstate: CuBe 2, 1/2HT**

date: name:  
 created 01.03.21 **Pröhl**  
 checked 01.03.21 **Akrim**  
 released

description:  
**type EL-2**

surface code:  
 bright finish -02 zink chromate/  
 gold -03 clear -15  
 silver -04 bright tin -17  
 bright nickel -19

drawing number:  
**PC.018.00.C**  
 sheet: 1

rev. description date name thickness: t= **0,2**

replacementdrawing:

1

2

3

4

5

6

1

2

3

4

5

6