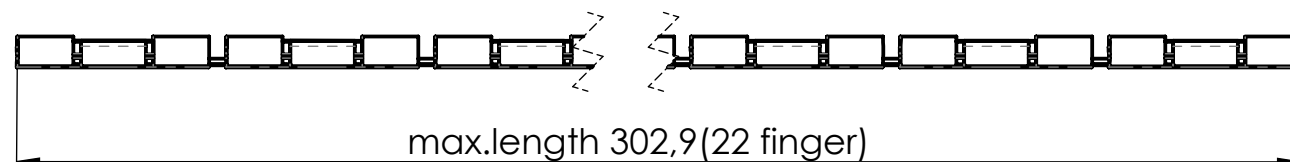
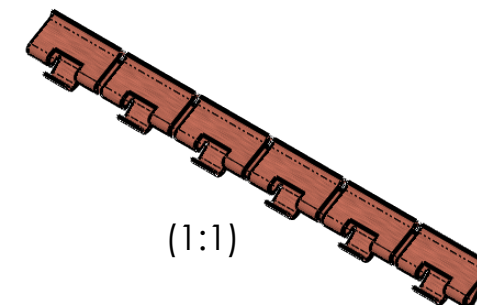


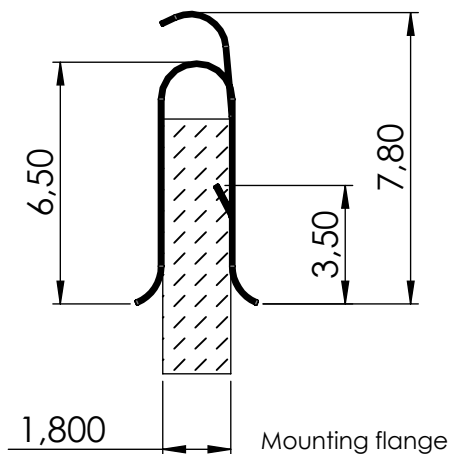
view (5:1)



(view 5:1)



(1:1)



drawing for customer information

FEUERHERDT EMI Shielding Products Specialist for Contact Springs		tolerances:	length tolerance:	dimensions in mm	scale: 2:1	revision: 00
		X,X ± 0,5 X,XX ± 0,2 X,XXX ± 0,1	100-300 ± 0,5 300-400 ± 0,8 400-500 ± 1 > 500 ± 1,5	unmeasured contours according to 3D data	material: rawmaterial: CuBe 2, 1/2H finalstate: CuBe 2, 1/2HT	
			date: 16.02.21	name: Pröhl	description: type CL62	
			checked 16.02.21	Akrim		
			released			
			surface code:		drawing number: PC.012.18.C	
			bright finish -02	zink chromate/	sheet: 1	
			gold -03	clear -15		
			silver -04	bright tin -17		
				bright nickel -19		
rev.	description	date	name	thickness: t= 0,08	replacement drawing:	

Stripes can be cut off after each finger on request.
 Calculation of length in mm:
 strip length = number of fingers x 1 pitch - 1 slot

