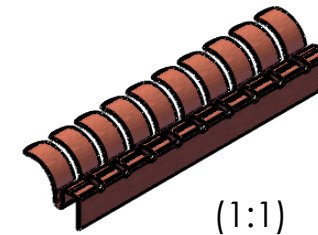
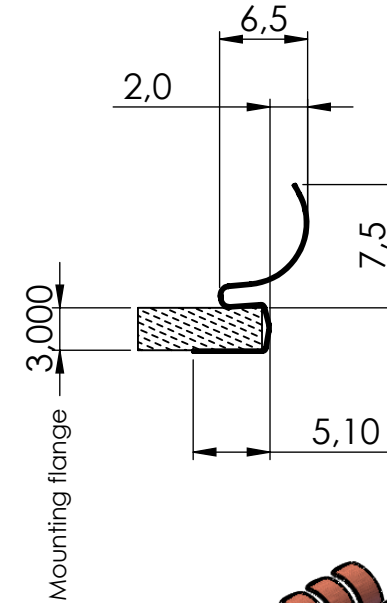
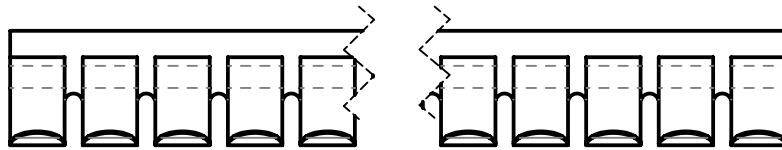


1



drawing for customer information

FEUERHERDT EMI Shielding Products Specialist for Contact Springs		tolerances: length tolerance:		dimensions in mm		scale: 2:1	revision: 00
		X,X ± 0,5 X,XX ± 0,2 X,XXX ± 0,1	100-300 ± 0,5 300-400 ± 0,8 400-500 ± 1 > 500 ± 1,5	unmeasured contours according to 3D data		material: rawmaterial: CuBe 2, 1/2H finalstate: CuBe 2, 1/2HT	
		date:		name:		description:	
		created 12.01.21		Pröhl		<h1>type CL54-4</h1>	
		checked 12.01.21		Akrim			
		released					
		surface code:		bright finish -02 gold -03 silver -04		drawing number:	
		zink chromate/ clear -15 bright tin -17 bright nickel -19		thickness: t= 0,127		<h1>PC.002.30.C</h1>	
rev.	description	date	name	replacement drawing:		sheet: 1	

Stripes can be cut off after each finger on request.
 Calculation of length in mm:
 strip length = number of fingers x 1 pitch - 1 slot

1