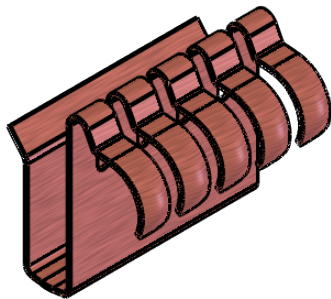
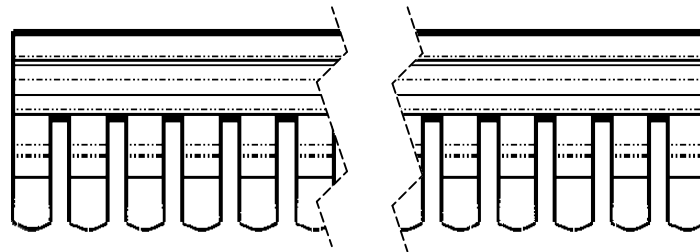
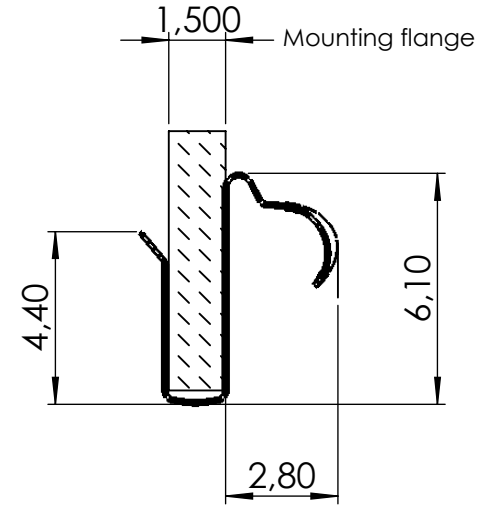
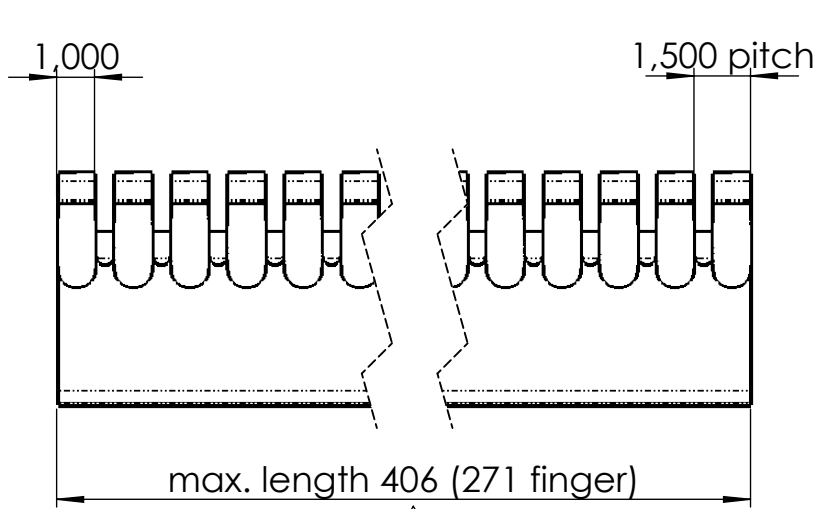


Copying of this document, and giving it to others and the use or communication of the contents thereof, are forbidden without express authority. All rights reserved.



drawing for customer information

<b>FEUERHERDT</b> EMI Shielding Products Specialist for Contact Springs		tolerances: X,X ± 0,5 X,XX ± 0,2 X,XXX ± 0,1	length tolerance: 100-300 ± 0,5 300-400 ± 0,8 400-500 ± 1 > 500 ± 1,5	dimensions in mm unmeasured contours according to 3D data	scale: <b>5:1</b>	revision: <b>00</b>
					material: <b>rawmaterial: CuBe 2, 1/2H</b> <b>finalstate: CuBe 2, 1/2HT</b>	
				date: 15.09.20 created checked 25.11.20 released	name: <b>Gutmann</b> <b>Pröhl</b>	description: <h1>type CL46</h1>
				surface code: bright finish -02 gold -03 silver -04	zink chromate/clear -15 bright tin -17 bright nickel -19	drawing number: <h1>CO.044.15.C</h1>
	rev.	description	date	name	thickness: t= 0,08	replacement drawing: <b>A4</b> sheet: 1

Stripes can be cut off after each finger on request.  
 Calculation of length in mm:  
 strip length = number of fingers x 1 pitch - 1 slot

1