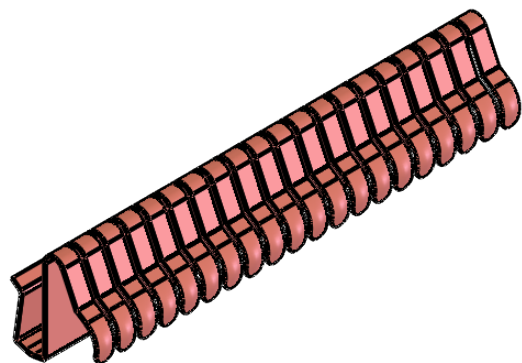
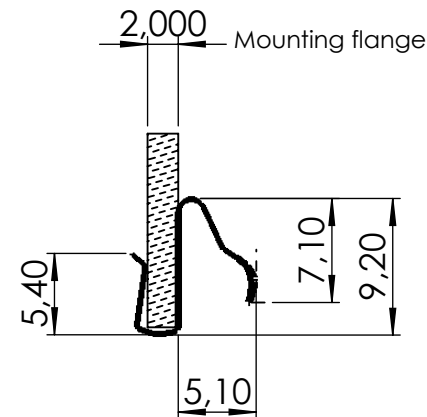
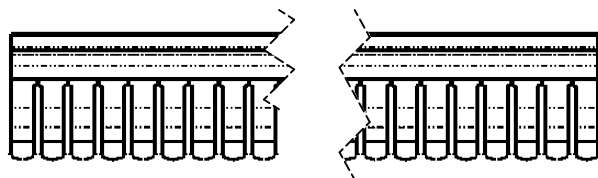


1



drawing for customer information

1

Stripes can be cut off after each finger on request.  
 Calculation of length in mm:  
 strip length = number of fingers x 1 pitch - 1 slot

<b>FEUERHERDT</b> EMI Shielding Products Specialist for Contact Springs		tolerances:	length tolerance:	dimensions in mm	scale: <b>2:1</b>	revision: <b>00</b>
		X,X ± 0,5 X,XX ± 0,2 X,XXX ± 0,1	100-300 ± 0,5 300-400 ± 0,8 400-500 ± 1 > 500 ± 1,5	unmeasured contours according to 3D data	material: <b>rawmaterial: CuBe 2, 1/2H</b> <b>finalstate: CuBe 2, 1/2HT</b>	
			date:	name:	description: <h1>type CL40</h1>	
			created 11.09.20	<b>Gutmann</b>		
			checked 16.11.20	<b>Pröhl</b>		
			released		drawing number: <b>F-CO.042.20.C</b>	
				surface code:	sheet: 1	
				bright finish -02 gold -03 silver -04	replacement drawing:	
				zink chromate/ clear -15 bright tin -17 bright nickel -19		
rev.	description	date	name	thickness: t= 0,15		