

1 2 3 4 5 6

A

B

C

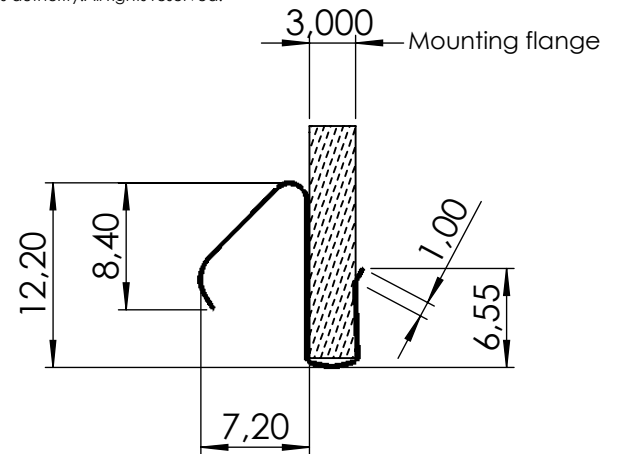
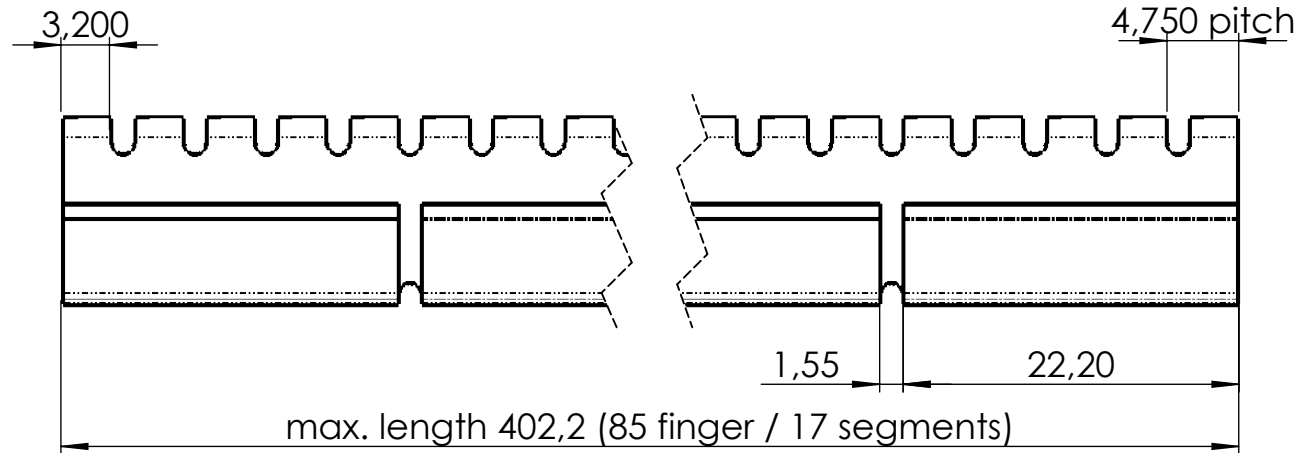
D

A

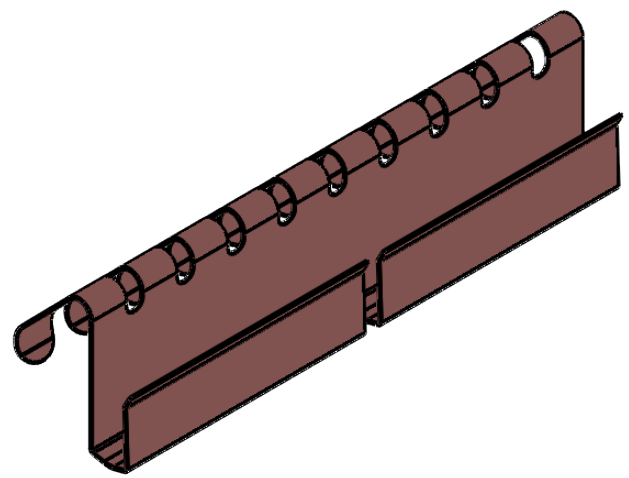
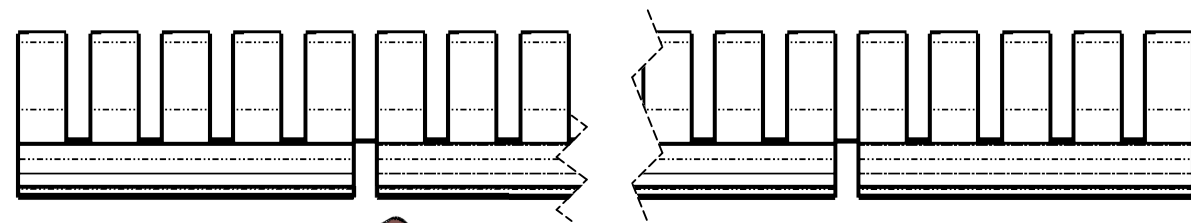
B

C

D



1



drawing for customer information

1

Stripes can be cut off after each finger on request.  
 Calculation of length in mm:  
 strip length = number of fingers x 1 pitch - 1 slot

<b>FEUERHERDT</b> EMI Shielding Products Specialist for Contact Springs		tolerances: X,X ± 0,5 X,XX ± 0,2 X,XXX ± 0,1	length tolerance: 100-300 ± 0,5 300-400 ± 0,8 400-500 ± 1 > 500 ± 1,5	dimensions in mm unmeasured contours according to 3D data	scale: <b>2:1</b>	revision: <b>00</b>
				date: 10.09.20 created: 10.09.20 checked: 12.11.20 released:	name: <b>Gutmann</b> <b>Pröhl</b>	material: <b>rawmaterial: CuBe 2, 1/2H</b> <b>finalstate: CuBe 2, 1/2HT</b>
				surface code: bright finish -02 gold -03 silver -04	description: <h1>type CL35</h1>	
				thickness: t= 0,15	drawing number: <h1>CO.039.30.C</h1>	sheet: 1 <b>A4</b>
rev.	description	date	name	replacement drawing:		

1 2 3 4 5 6