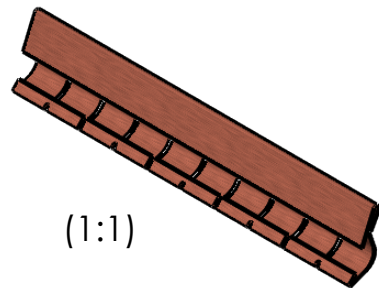
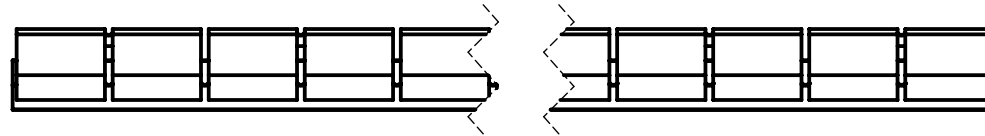
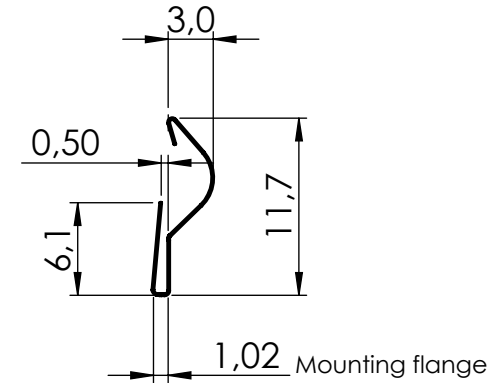
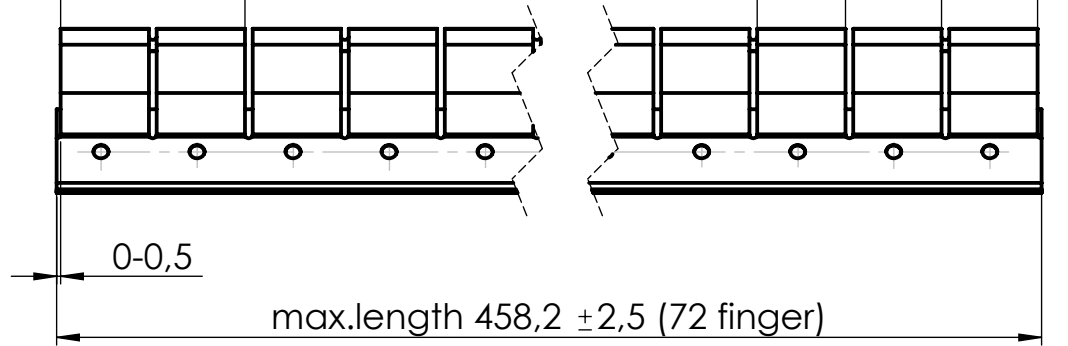


12,19 double finger

5,84

6,35 pitch



drawing for customer information

FEUERHERDT
EMI Shielding Products
Specialist for Contact Springs

tolerances:	length tolerance:
X,X ± 0,5	100-300 ± 0,5
X,XX ± 0,2	300-400 ± 0,8
X,XXX ± 0,1	400-500 ± 1
	> 500 ± 1,5

dimensions in mm
unmeasured contours according to 3D data

scale: **2:1** revision: **00**

material: **rawmaterial: CuBe 2, 1/2H**
finalstate: CuBe 2, 1/2HT

date:	name:
created 07.09.21	Pröhl
checked 07.09.21	Akrim
released	

description:

type CL22

drawing number:

CO.033.10.C

A4

sheet: 1

surface code:	
bright finish -02	zink chromate/ clear -15
gold -03	bright fin -17
silver -04	bright nickel -19

replacement drawing:

rev.	description	date	name	thickness: t= 0,08
------	-------------	------	------	--------------------

Stripes can be cut off after each finger on request.
Calculation of length in mm:
strip length = number of fingers x 1 pitch - 1 slot

1