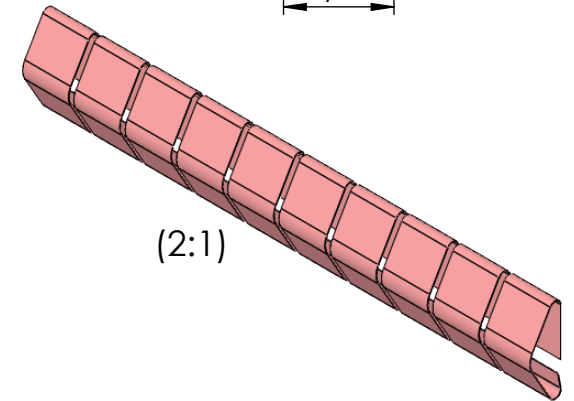
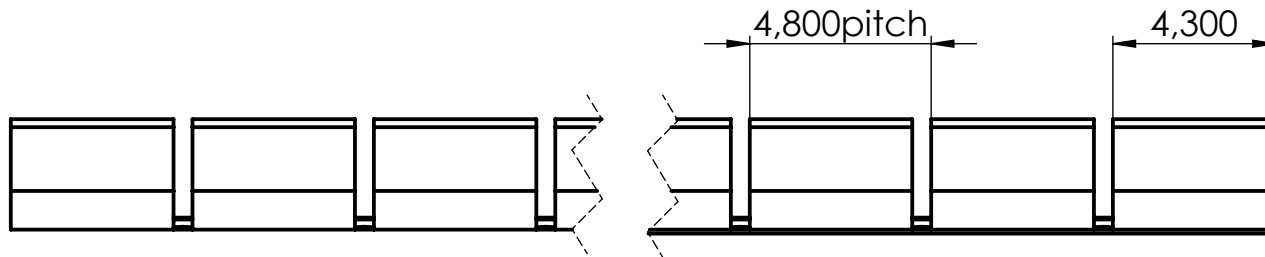
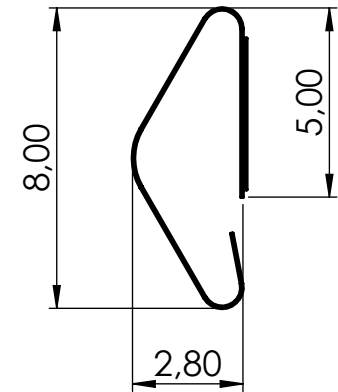
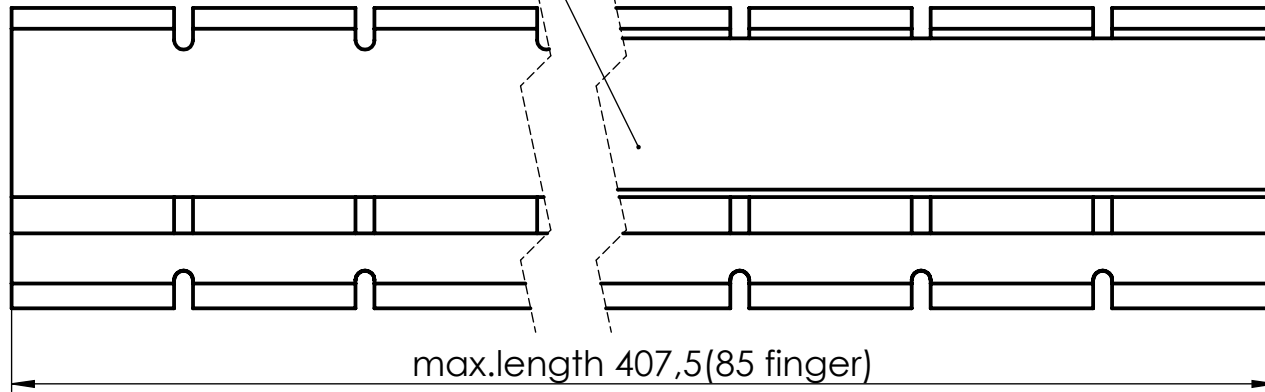


double adhesive transfer tape



drawing for customer information

| | | | | | |
|---|-------------|-------------------|--|--|--------------------------------------|
| FEUERHERDT EMI Shielding Products Specialist for Contact Springs | tolerances: | length tolerance: | dimensions in mm | scale: 5:1 | revision: 00 |
| | X,X ± 0,5 | 100-300 ± 0,5 | unmeasured contours according to 3D data | material: rawmaterial: CuBe 2, 1/2H | description: <h1>type W1</h1> |
| | X,XX ± 0,2 | 300-400 ± 0,8 | | finalstate: CuBe 2, 1/2HT | |
| | X,XXX ± 0,1 | 400-500 ± 1 | | date: 02.02.21 | |
| | > 500 ± 1,5 | checked 02.02.21 | | name: Akrim | |
| | | released | surface code: | drawing number: GS.001.00.C | |
| | | | bright finish -02 | sheet: 1 | |
| | | | gold -03 | replacement drawing: | |
| | | | silver -04 | | |
| | | | bright nickel -19 | | |
| rev. | description | date | name | thickness: t= 0,05 | |

Stripes can be cut off after each finger on request.
 Calculation of length in mm:
 strip length = number of fingers x 1 pitch - 1 slot

