

A

B

C

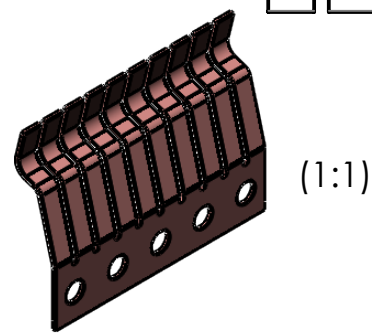
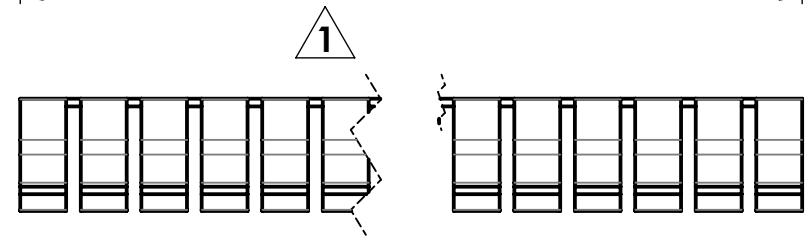
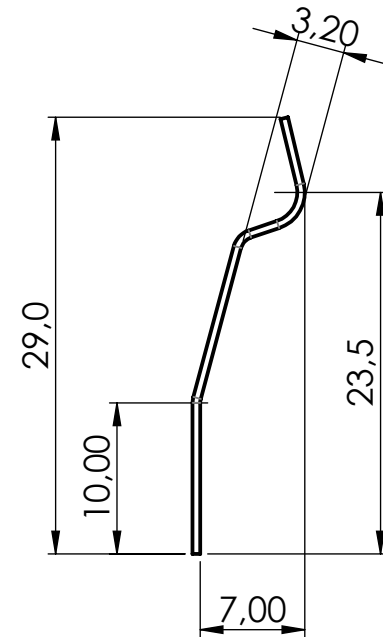
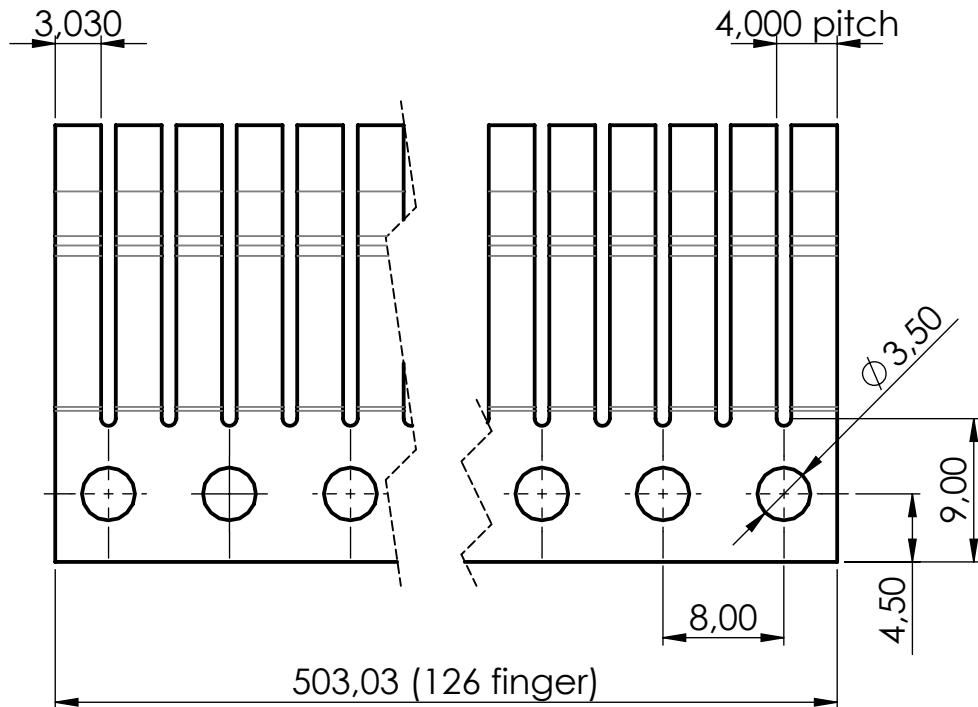
D

A

B

C

D



drawing for customer information

1

Stripes can be cut off after each finger on request.
 Calculation of length in mm:
 strip length = number of fingers x 1 pitch - 1 slot

FEUERHERDT EMI Shielding Products Specialist for Contact Springs		tolerances:	length tolerance:	dimensions in mm	scale: 2:1	revision: 00
		X,X ± 0,5 X,XX ± 0,2 X,XXX ± 0,1	100-300 ± 0,5 300-400 ± 0,8 400-500 ± 1 > 500 ± 1,5	unmeasured contours according to 3D data	material: rawmaterial: CuBe 2, 1/4H finalstate: CuBe 2, 1/4HT	
		date:	name:	description:		
		created 18.06.20	Gutmann	<h1>type U1</h1>		
		checked 24.06.20	Pröhl			
		released		drawing number:		
		surface code:		<h1>CS.025.00.C</h1>		
		bright finish -02 gold -03 silver -04	zink chromate/clear -15 bright tin -17 bright nickel -19			
rev.	description	date	name	thickness: t=0,5	replacement drawing:	

A4
sheet: 1

1

2

3

4

5

6