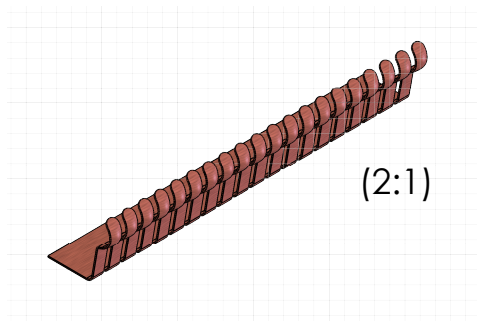
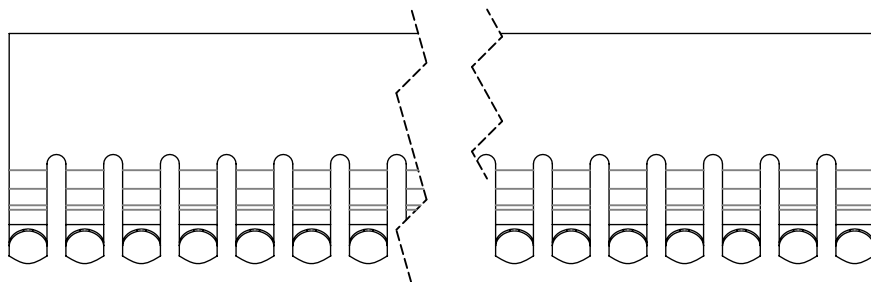
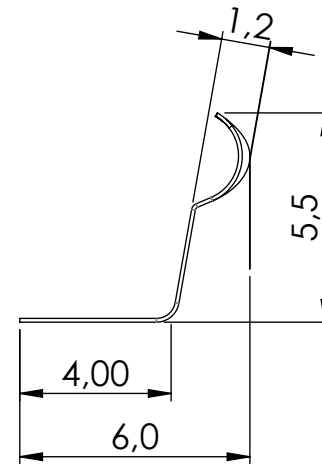


1



drawing for customer information

FEUERHERDT EMI Shielding Products Specialist for Contact Springs		tolerances: X,X ± 0,5 X,XX ± 0,2 X,XXX ± 0,1	length tolerance: 100-300 ± 0,5 300-400 ± 0,8 400-500 ± 1 > 500 ± 1,5	dimensions in mm unmeasured contours according to 3D data	scale: 5:1	revision: 00
					material: rawmaterial: CuBe 2, 1/2H finalstate: CuBe 2, 1/2HT	
				date: 17.06.20 created checked 23.06.20 released	name: Gutmann Pröhl	description: <h1>type T</h1>
				surface code: bright finish -02 gold -03 silver -04	zink chromate/clear -15 bright tin -17 bright nickel -19	drawing number: <h1>CS.023.00.C</h1>
	rev. description date name thickness: t=0,1					sheet: 1 A4

1

Stripes can be cut off after each finger on request.
 Calculation of length in mm:
 strip length = number of fingers x 1 pitch - 1 slot