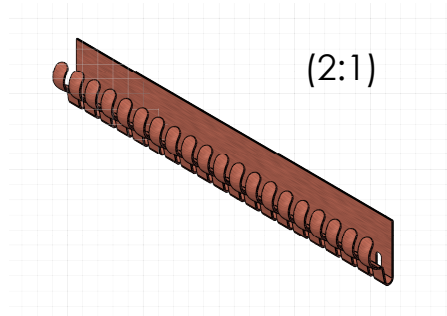


drawing for customer information



1

Stripes can be cut off after each finger on request.
 Calculation of length in mm:
 strip length = number of fingers x 1 pitch - 1 slot

FEUERHERDT EMI Shielding Products Specialist for Contact Springs		tolerances:	length tolerance:	dimensions in mm	scale: 5:1	revision: 00
		X,X ± 0,5 X,XX ± 0,2 X,XXX ± 0,1	100-300 ± 0,5 300-400 ± 0,8 400-500 ± 1 > 500 ± 1,5	unmeasured contours according to 3D data	material: rawmaterial: CuBe 2, 1/2H finalstate: CuBe 2, 1/2HT	
		date:	name:	description: type S		
		created 17.06.20	Gutmann			
		checked 22.06.20	Pröhl			
		released		drawing number: CS.021.00.C		
			surface code: bright finish -02 gold -03 silver -04			
rev.	description	date	name	thickness: t=0,1	replacement drawing:	