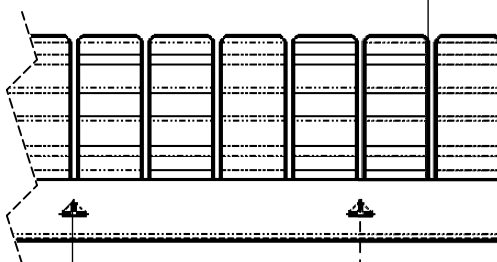
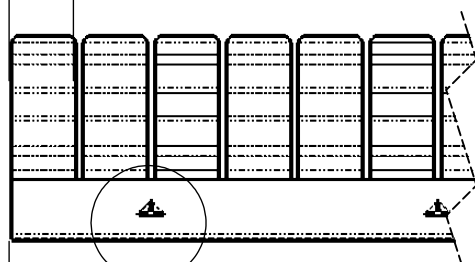
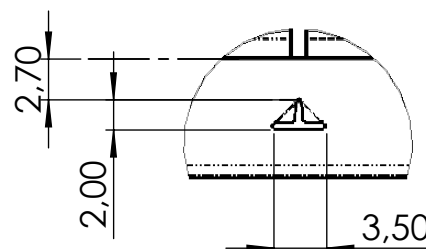
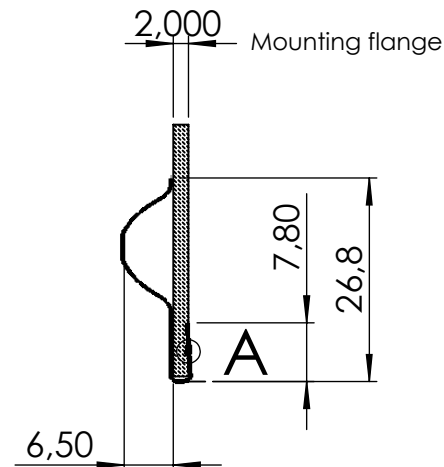
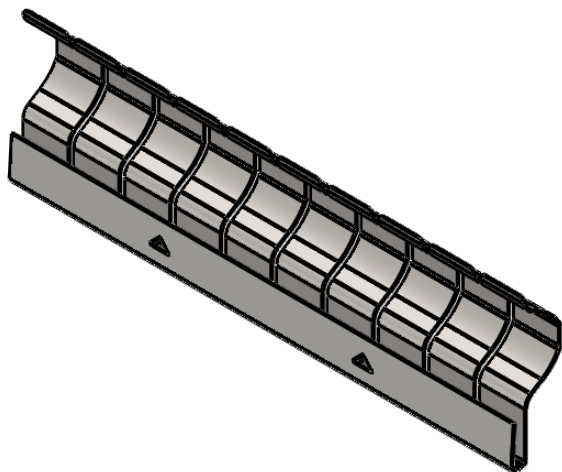


8,500

9,500 pitch



max. length 493 (52 finger)



DETAIL A
scale 2 : 1

DETAIL B
scale 2 : 1

drawing for customer information

FEUERHERDT
EMI Shielding Products
Specialist for Contact Springs

tolerances:
X,X ± 0,5
X,XX ± 0,2
X,XXX ± 0,1

length tolerance:
100-300 ± 0,5
300-400 ± 0,8
400-500 ± 1
> 500 ± 1,5

dimensions in mm
unmeasured contours according to 3D data

scale: 1:1 revision: 00

material: stainless steel 1.4310
X10CrNi18-8 F1100-1300

description:

type CL12

drawing number:

CO.026.20.E

A4

sheet: 1

surface code:

bright finish -02
gold -03
silver -04

zink chromate/clear -15
bright tin -17
bright nickel -19

thickness: t= 0,127

replacement drawing:

rev.	description	date	name

Stripes can be cut off after each finger on request.
Calculation of length in mm:
strip length = number of fingers x 1 pitch - 1 slot

1