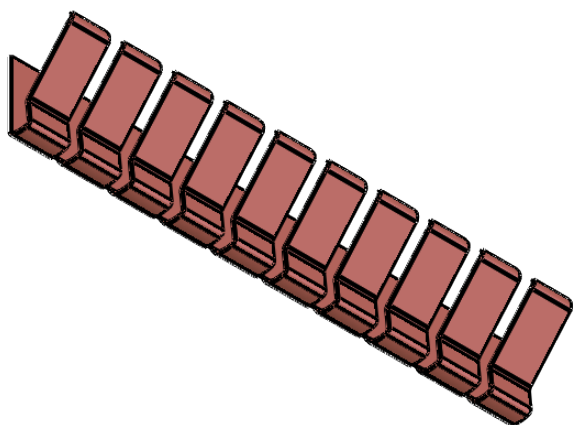
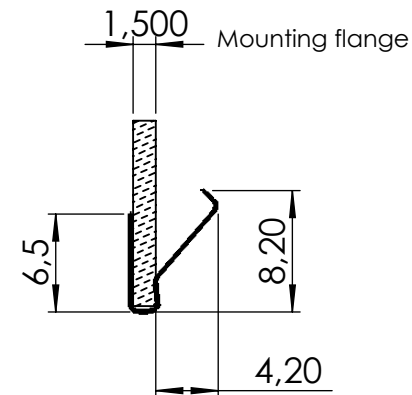


1



drawing for customer information

1

Stripes can be cut off after each finger on request.
 Calculation of length in mm:
 strip length = number of fingers x 1 pitch - 1 slot

FEUERHERDT EMI Shielding Products Specialist for Contact Springs		tolerances:	length tolerance:	dimensions in mm	scale: 2:1	revision: 01
		X,X ± 0,5 X,XX ± 0,2 X,XXX ± 0,1	100-300 ± 0,5 300-400 ± 0,8 400-500 ± 1 > 500 ± 1,5	unmeasured contours according to 3D data	material: rawmaterial: CuBe 2, 1/2H finalstate: CuBe 2, 1/2HT	
		date:	name:	description:		
		created 30.07.20	Gutmann	<h1>type CL5-2</h1>		
		checked 03.09.20	Pröhl			
		released		drawing number:		
			surface code:	<h1>CO.010.15.C</h1>		
			bright finish -02 zink chromate/ gold -03 clear -15 silver -04 bright tin -17 bright nickel -19			
01	tolerances	18.08.21	Pröhl	thickness: t= 0,127	sheet: 1	
rev.	description	date	name	replacement drawing:		