

A

B

C

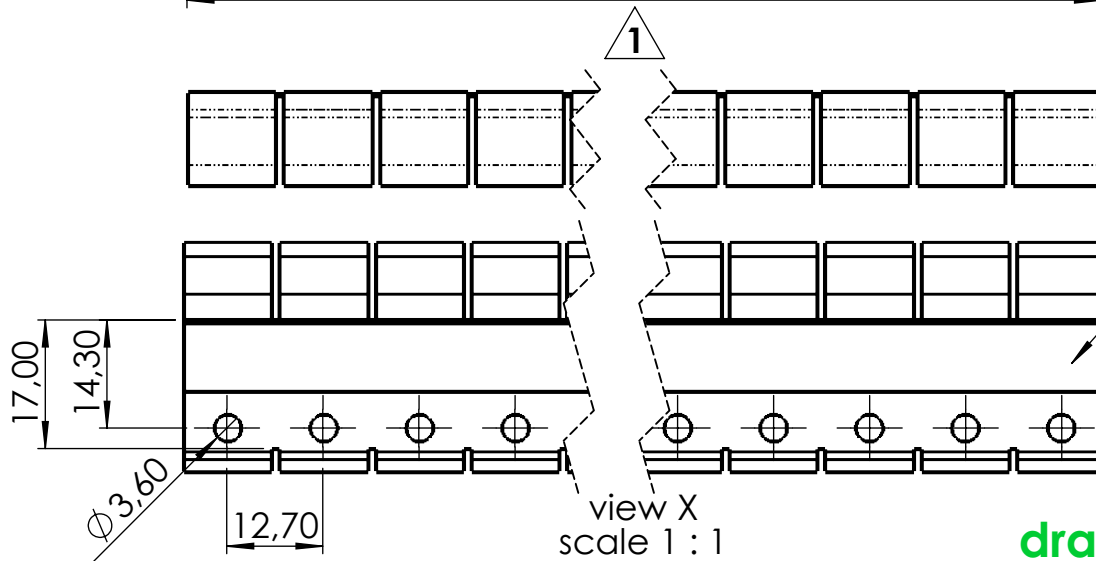
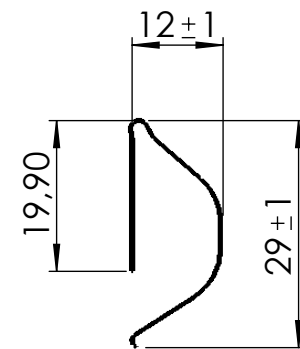
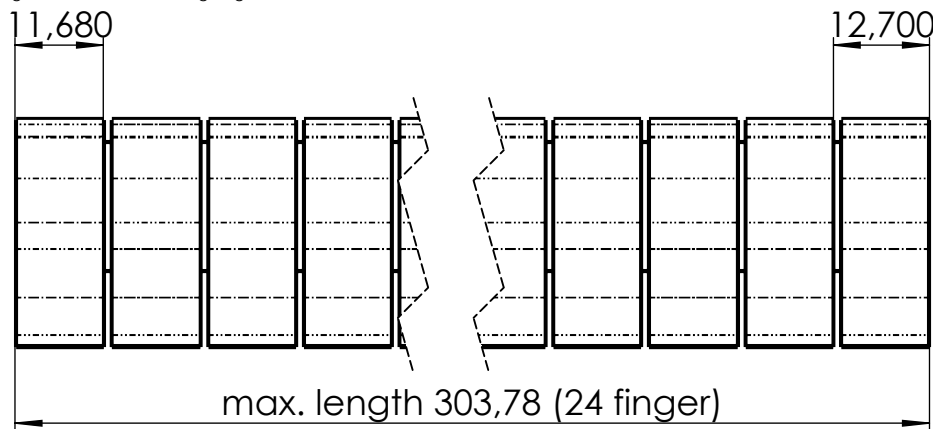
D

A

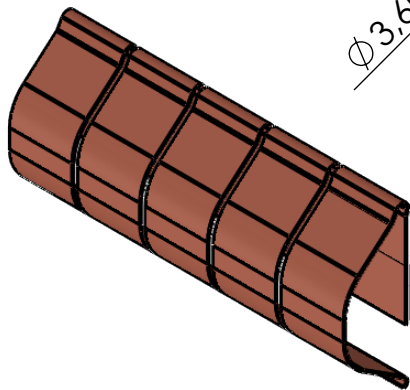
B

C

D



double adhesive transfer tape



drawing for customer information



Stripes can be cut off after each finger on request.
 Calculation of length in mm:
 strip length = number of fingers x 1 pitch - 1 slot

FEUERHERDT EMI Shielding Products Specialist for Contact Springs		tolerances: X,X ± 0,5 X,XX ± 0,2 X,XXX ± 0,1	length tolerance: 100-300 ± 0,5 300-400 ± 0,8 400-500 ± 1 > 500 ± 1,5	dimensions in mm unmeasured contours according to 3D data	scale: 2:1	revision: 00
				date: 07.09.20 created checked 08.12.20 released	name: Gutmann Pröhl	material: rawmaterial: CuBe 2, 1/2H finalstate: CuBe 2, 1/2HT
				surface code: bright finish -02 gold -03 silver -04	zink chromate/ clear -15 bright tin -17 bright nickel -19	description: <h1>type V14</h1>
				thickness: t= 0,18	drawing number: <h1>CF.008.00.C</h1>	A4 sheet: 1
rev.	description	date	name	replacement drawing:		

1

2

3

4

5

6